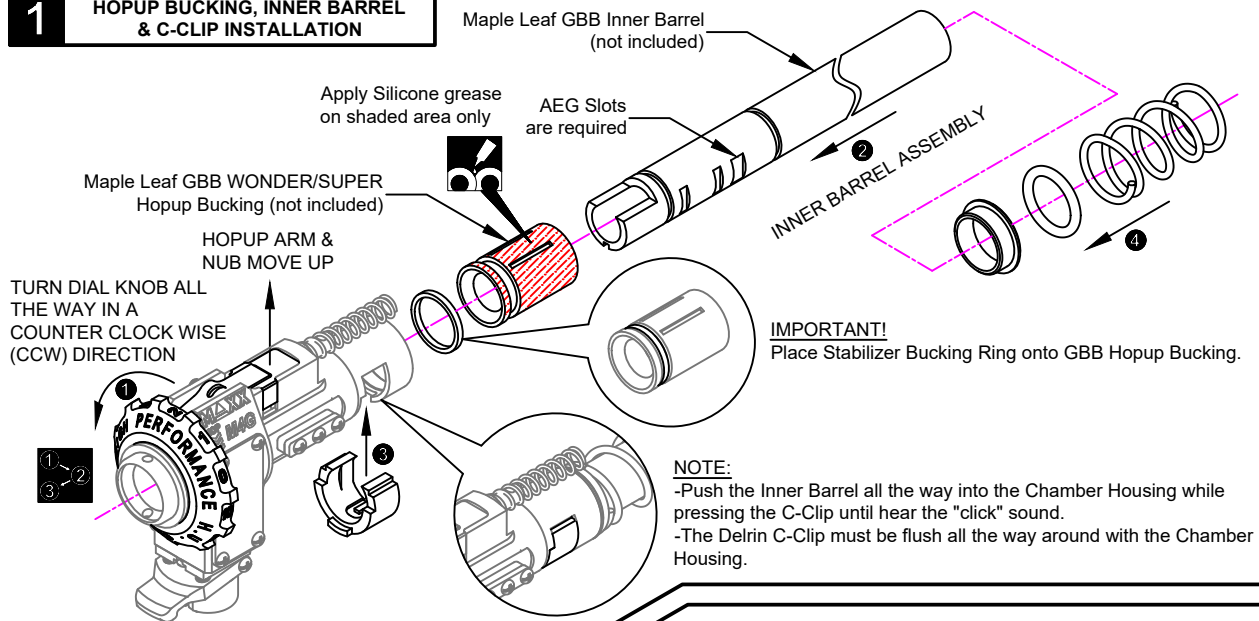


CNC ALUMINUM HOPUP CHAMBER M4G (FOR STANDARD M4)

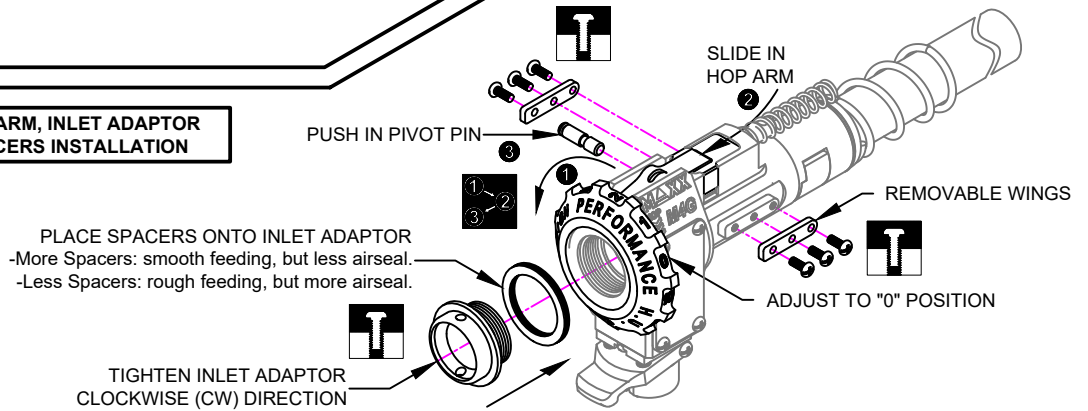
MAXX MODEL PRODUCTS, INC.

COPYRIGHT © 2024

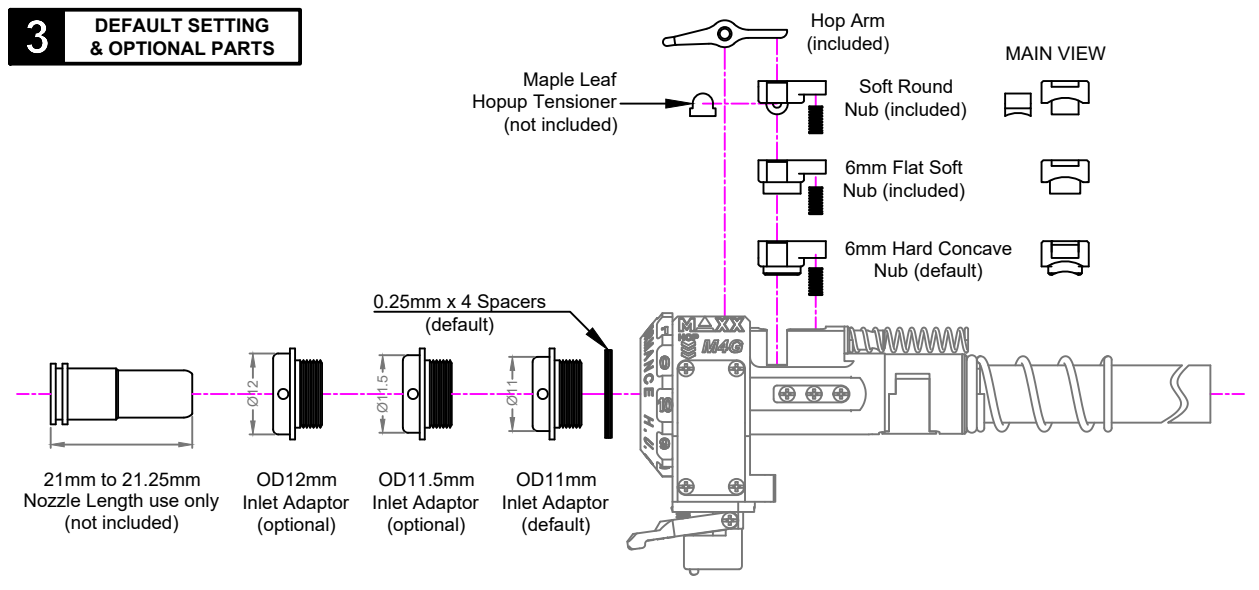
1 HOPUP BUCKING, INNER BARREL & C-CLIP INSTALLATION



2 HOPUP ARM, INLET ADAPTOR & SPACERS INSTALLATION



3 DEFAULT SETTING & OPTIONAL PARTS



Assemble in this order
 Apply Silicone grease
 Tighten firmly, do not overtighten

CAUTION: Please check your model carefully before operation!

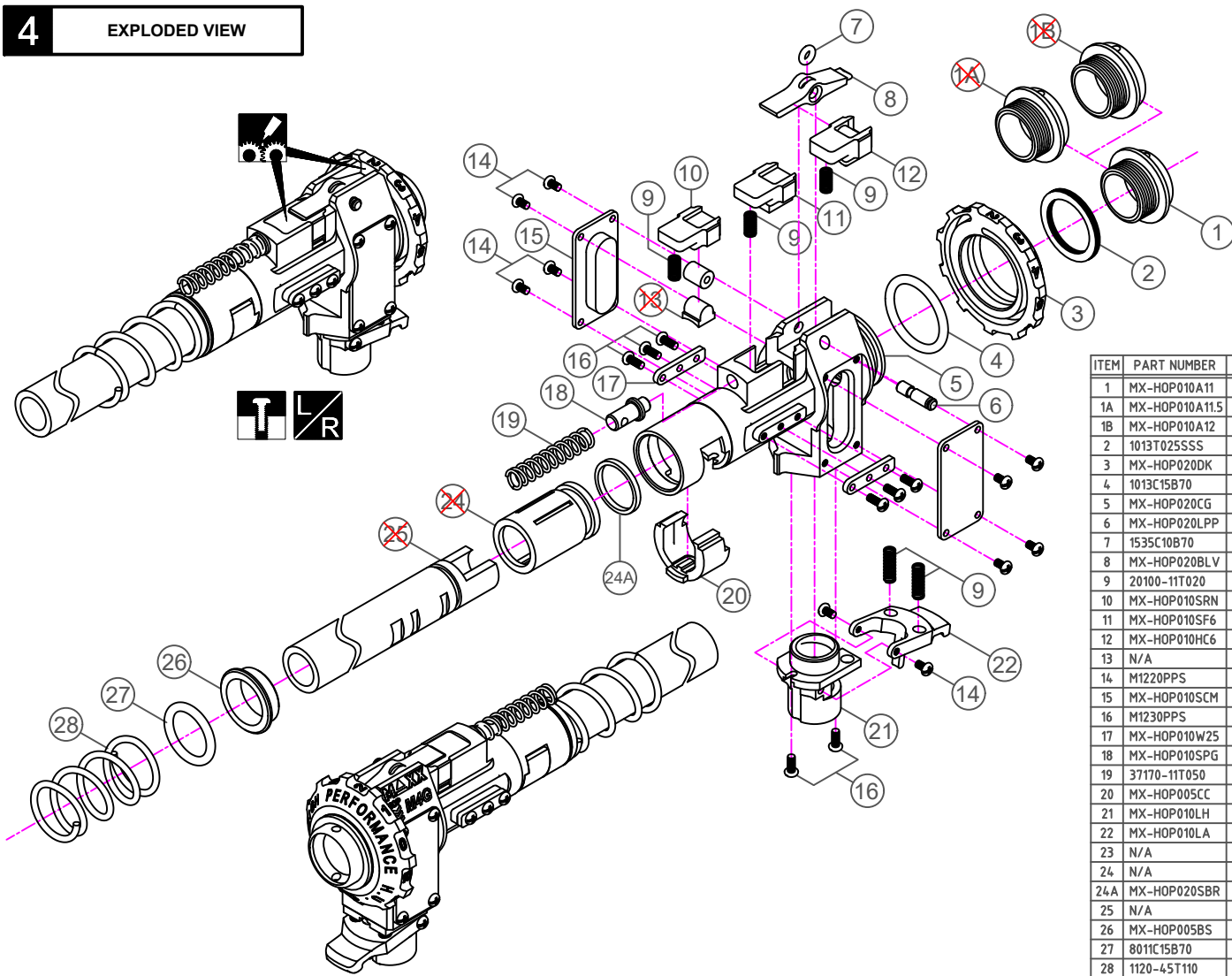
REV. MX-HOP020MG-300124-01

CNC ALUMINUM HOPUP CHAMBER M4G (FOR STANDARD M4)

MAXX MODEL PRODUCTS, INC.

COPYRIGHT © 2024

4 EXPLODED VIEW



ITEM	PART NUMBER	DESCRIPTION	QTY
1	MX-HOP010A11	HOPUP CHAMBER INLET ADAPTOR (OD11MM)	1
1A	MX-HOP010A11.5	HOPUP CHAMBER INLET ADAPTOR (OD11.5MM) (OPTIONAL)	0
1B	MX-HOP010A12	HOPUP CHAMBER INLET ADAPTOR (OD12MM) (OPTIONAL)	0
2	1013T025SSS	10X13X0.25MM STAINLESS STEEL 0.25MM SPACER	4
3	MX-HOP020DK	HOPUP CHAMBER DIAL KNOB	1
4	1013C15B70	10X13X1.5MM 70 BUNA O-RING	1
5	MX-HOP020CG	HOPUP CHAMBER HOUSING M4G	1
6	MX-HOP020LPP	HOPUP CHAMBER LEVER PIVOT PIN	1
7	1535C10B70	1.5X3.5X1MM 70 BUNA O-RING	1
8	MX-HOP020BLV	HOPUP CHAMBER BUCKING LEVER	1
9	20100-11T020	1.6X2.0X10MM HELICAL COMPRESSION SPRING	5
10	MX-HOP010SRN	HOPUP CHAMBER SOFT ROUND NUB	1
11	MX-HOP010SF6	HOPUP CHAMBER SOFT FLAT NUB (6MM)	1
12	MX-HOP010HC6	HOPUP CHAMBER HARD CONCAVE NUB (6MM)	1
13	N/A	MAPLE LEAF OMEGA HOPUP TENSIONER (NOT INCLUDED)	0
14	M1220PPS	M1.2X2MM PHILLIPS PAN HEAD SCREW	10
15	MX-HOP010SCM	HOPUP CHAMBER SIDE COVER M4	2
16	M1230PPS	M1.2X3MM PHILLIPS PAN HEAD SCREW	8
17	MX-HOP010W25	HOPUP CHAMBER SIDE WING M4 (2.5MM)	2
18	MX-HOP010SPG	HOPUP CHAMBER SPRING GUIDE	1
19	37170-11T050	2.7X3.7X17MM HELICAL COMPRESSION SPRING	1
20	MX-HOP005CC	HOPUP CHAMBER C-CLIP	1
21	MX-HOP010LH	HOPUP CHAMBER LATCH HOUSING	1
22	MX-HOP010LA	HOPUP CHAMBER LATCH ARM	1
23	N/A	N/A	0
24	N/A	MAPLE LEAF GBB HOPUP BUCKING (NOT INCLUDED)	0
24A	MX-HOP020SBR	HOPUP CHAMBER STABILIZER BUCKING RING	1
25	N/A	MAPLE LEAF GBB INNER BARREL (NOT INCLUDED)	0
26	MX-HOP005BS	HOPUP CHAMBER BARREL SPACER	1
27	8011C15B70	8X11X1.5MM 70 BUNA O-RING	1
28	1120-45T110	9X11X20MM HELICAL COMPRESSION SPRING	1



Apply Lithium grease



Tighten firmly, do not overtighten



Assemble left and right in the same way

CAUTION: Please check your model carefully before operation!

REV. MX-HOP020MG-300124-01